

31	Disc Ring	PTFE	2
32	Flange	S25C	2
33	Plug	S25C	1

Q. ty	PARTS	MATERIAL	NO	REMARK
1	Body	SCS13	1	
2	Yoke Stand	FGD450	1	
3	Cylinder	FGD450	1	Mer-Gliding
4	Stem	SUS403	1	Mer-Gliding
5	Lower Seat Flange	SUS304	1	
6	U-Nut	SUS304	1	
7	Guide Washer	SUS304	1	
8	Disc Adaptor	SUS304	1	
9	Ring Washer	C3802	1	
10	Gland	C3802	1	
11	Gland Nut	S25C	1	
12	Guide Bush	C3802	1	
13	Piston	FGD450	1	
14	Set Ring Plate	SS400	1	
15	Retaining Ring	S602M	1	
16	Cap Screw	SUS304	4	
17	Cap Screw	SUS304	4	
18	Cap Screw	SUS304	1	
19	Cap Screw	SUS304	2	
20	Packing Spring	SUS304-WPB	1	
21	Spring	SIP6	1	
22	Piston Ring	PTFE	1	
23	Gasket	v/#562	1	
24	Dust Seal	PTFE	1	Isert
25	Lower Seat Gasket	v/#562	1	
26	Packing	v/#7351	1	Isert
27	O-Ring	v/#540	1	
28	O-Ring	v/#540	1	
29	Bolt	SS400	1	
30	Piston Nut	SUS304	1	

TEST PRESSURE	REMARK
WORKING PRESSURE	
WATER TEST FOR SHELL	5.8MPa
Air TEST FOR SEAT	1.6MPa

NAME & SIZE
R28k class Cast Stainless Steel
DIN 2635 (PN40) Flanged Ends, Normal Open
and 2 Way Type
Piston Valve

CHECKED BY DRAWING BY DRAWING NO

丸丸 FGD-P2WR-DINI-NO-30S1

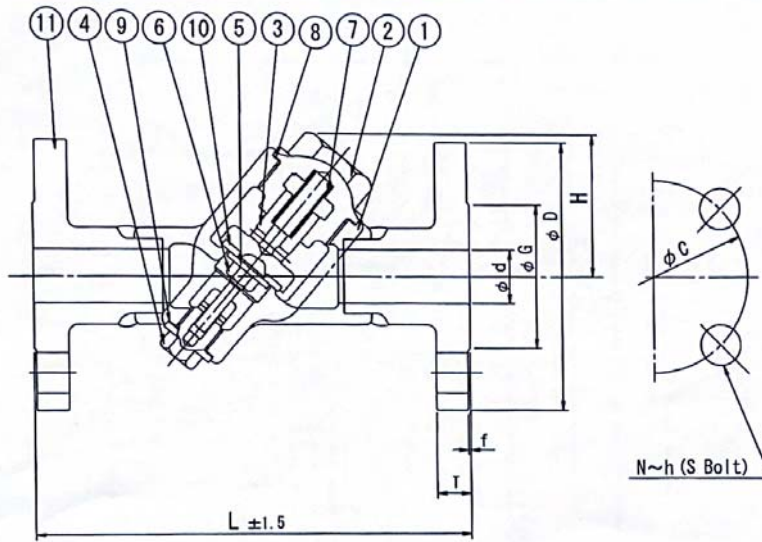
FUJITA IDC Corporation

出回
21.8.19
CER
FUJITA

OK

P2WR-DINI-25A-NO

TPC 2222 25D



PARTS	MATERIAL	NO	REMARK
1	Body	1	
2	Cover	1	
3	Disc	1	
4	Plug Guide	1	
5	Disc Seat Washer	1	
6	Disc Nut	1	
7	Spring	1	
8	Cover Gasket	1	
9	Plug Gasket	1	
10	Disc Seat	1	
11	Flange	2	
12			
13			
14			
15			
16			
17			
18			
19			
20			
21			
22			
23			
24			
25			
26			
27			
28			
29			
30			

TEST PRESSURE	REMARK
WORKING PRESSURE	MPa
WATER TEST FOR SHELL	5.8 MPa
AIR TEST FOR SEAT	2.0 MPa

Unit in mm

Model-No	Port Dia d	Face to Face L	Flange Size					Bolts			H	Lift	Weight (kg)
			D	C	G	T	f	N	h	S			
YC-DIN-15A	15	178	95	65	45	16	2	4	14	M12	68	8	3.2
YC-DIN-20A	20	178	105	75	58	18	2	4	14	M12	68	8	3.3
YC-DIN-25A	25	203	115	85	68	18	2	4	14	M12	68	8	4.9
YC-DIN-32A	32	216	140	100	78	18	2	4	18	M16	89	11	7
YC-DIN-40A	40	229	150	110	88	18	3	4	18	M16	89	11	7.5

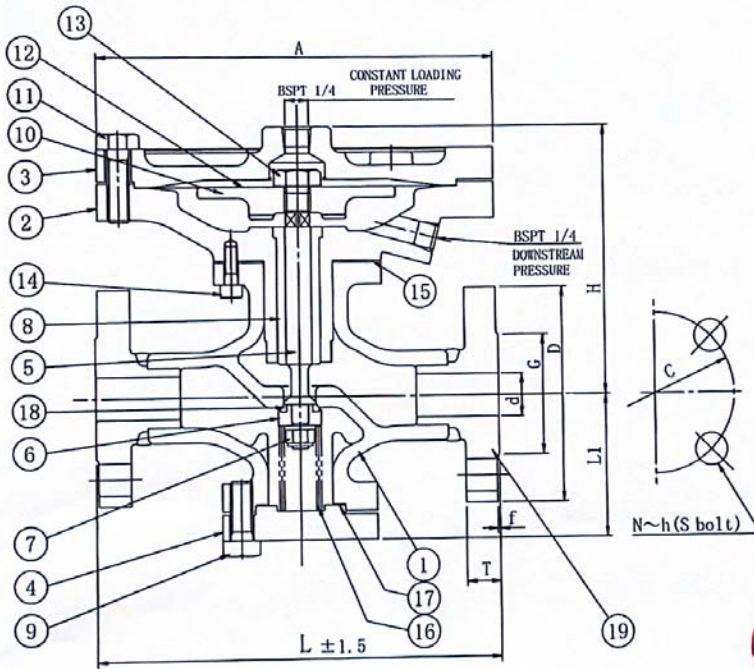


NAME & SIZE	
20k Class Cast Stainless Steel DIN Flanged Ends, Y-Type.	
LIFT CHECK VALVE	
CHECKED BY	DRAWING BY / DRAWING NO
鬼丸	FGD-YLC20/DIN-F1
FUJITA IDC Corporation	

OK

YL-1212-20D

OK



P.C.C. No.	PARTS	MATERIAL	NO	REMARK
1	Body		1	
2	Diaphragm Box		1	
3	Diaphragm Cover		1	
4	Bottom Cover		1	
5	Stem		1	
6	Disc Adaptor		1	
7	U-Nut		1	
8	Stem Guide		1	
9	Bolt		4	
10	Diaphragm Plate		1	
11	Cover Bolt		2	
12	Diaphragm		1	
13	Set-Bolt		6	
14	Cap-Screw		1	
15	Flange Gasket		1	
16	Spring		1	
17	Gasket		1	
18	Disc-Ring		1	
19	Flange		2	
20				
21				
22				
23				
24				
25				
26				
27				
28				
29				
30				

TEST PRESSURE	REMARK
WORKING PRESSURE	
WATER TEST FOR SHELL	2.4 MPa
AIR TEST FOR SEAT	0.4 MPa

FUJITA
OCT. 18 2013

Model-No	Port Dia d	Face to Face L	Flange					Bolt			Center to Top Center H	Center to Bottom Center L1	Cover Out Dia A	Lift Lift	Weight (kg)
			D	C	G	T	f	N	h	S					
SRV/D-DIN- 15A	15	188	95	65	45	16	2	4	14	M12	128	67	186	3.5	
SRV/D-DIN- 20A	20	188	105	75	58	18	2	4	14	M12	128	67	186	3.5	
SRV/D-DIN- 25A	25	229	115	85	68	18	2	4	14	M12	148	79	235	5	

NAME & SIZE
10^K Class CAST-STAINLESS-STEEL
DIN Flanged Ends, Diaphragm Type.
STEAM REGULATOR VALVE
CHECKED BY DRAWING BY DRAWING NO
東丸 FGD-SRV/D-DIN-PTFE-30S3

FUJITA IDC Corporation
SR 22 12 20 DB ✓ok

OK